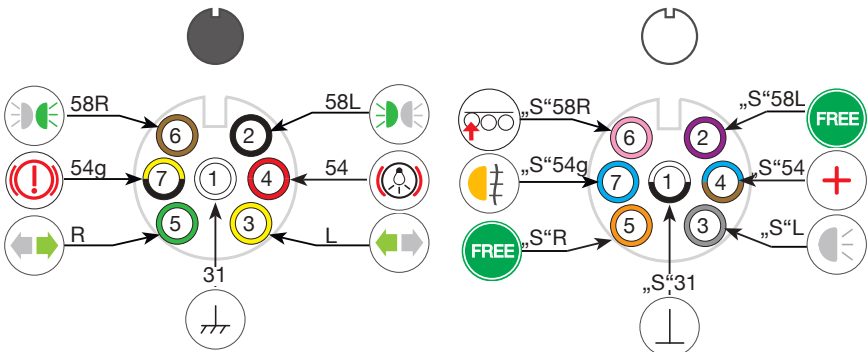
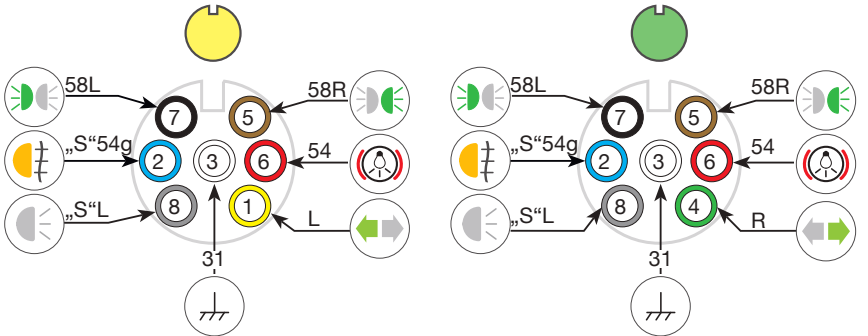


ASS1,
ASS2,
ASS2.1,
7 pin

ASS1, ASS2, ASS2.1 7 pin female



Imax=25A



ASS 1 ASS 2,2.1





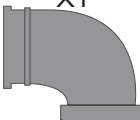
Mounting instruction ASS1, ASS2 7 pin female







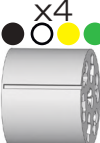

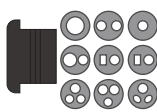
Aspöck Standard

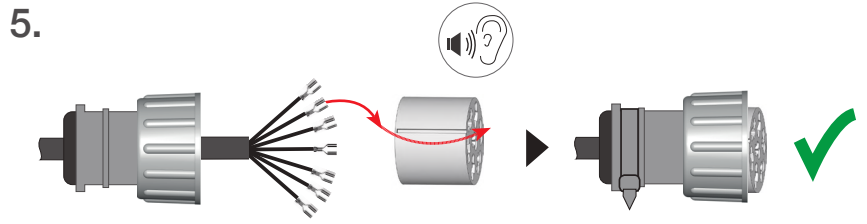
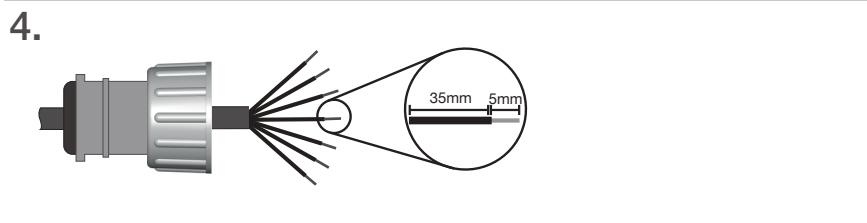
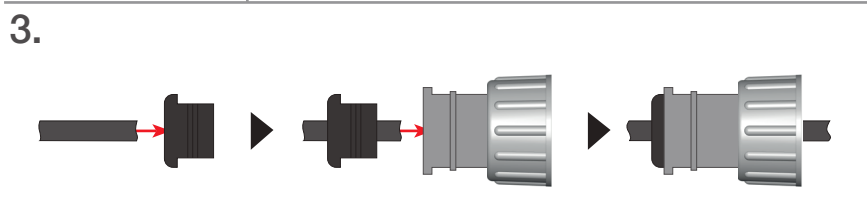
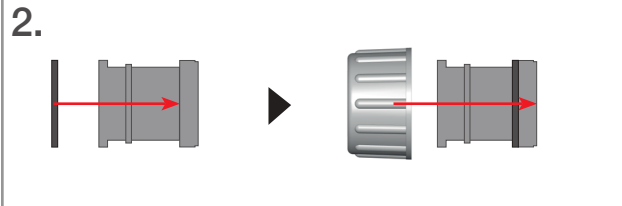
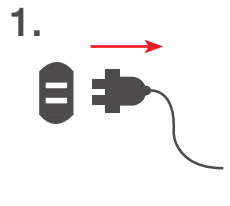
ASS1,
ASS2,
ASS2.1,
7 pin

SPARE PART NO.: 13-5626-631

ASS 2
 x1
 x1
 x1

ASS1
 x1
 x1
 x1

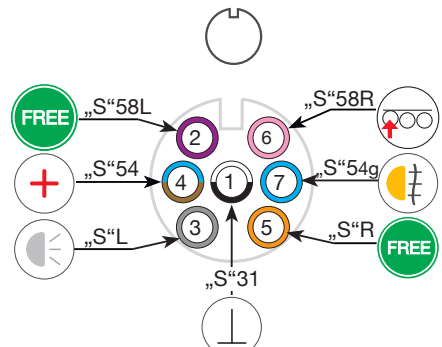
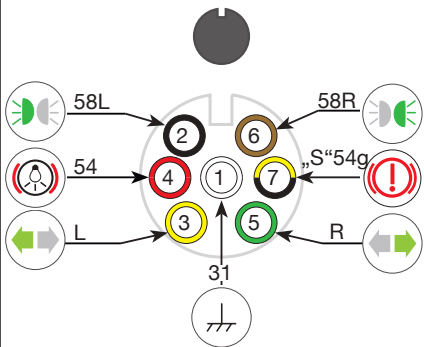
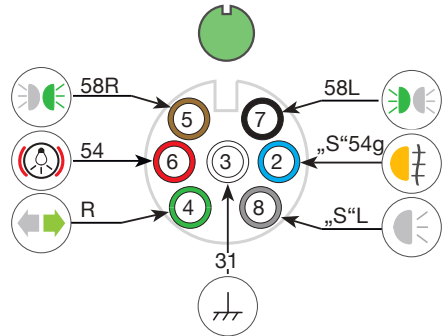
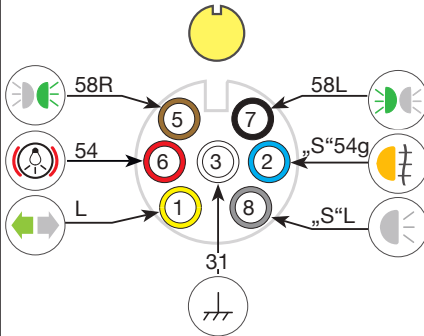
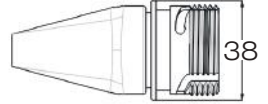
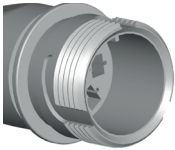
 x1
 x4
 x9
 x9



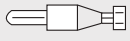
Imax=25A

ADR-Zone 2
approved
IP68

ASS1,
ASS2,
ASS2.1,
7 pin



Imax=25A



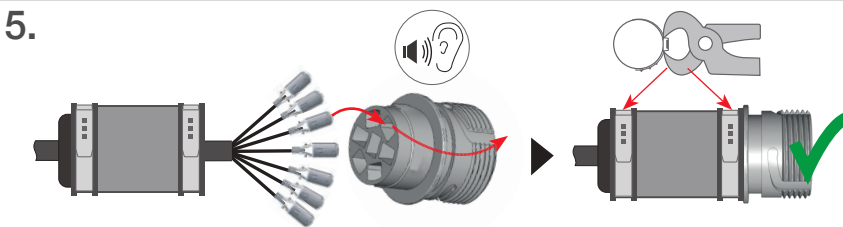
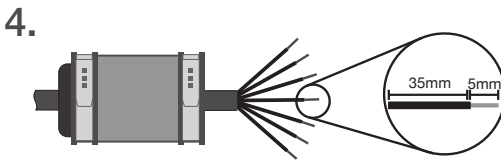
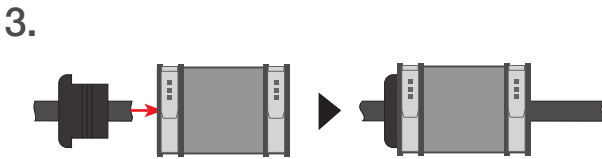
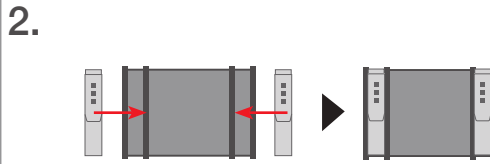
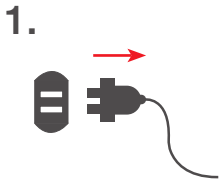
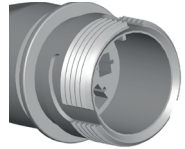
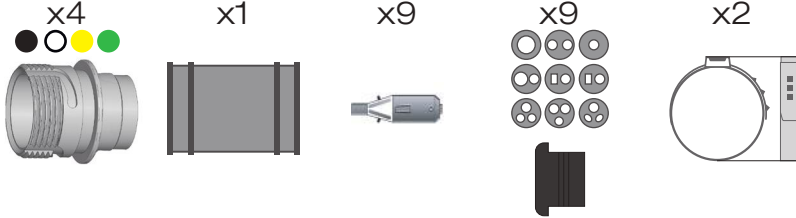
ASS 1 ASS 2,2.1



Mounting instruction ASS1, ASS2 7 pin male

ASS1,
ASS2,
ASS2.1,
7 pin

SPARE PART NO.: 13-5625-981



Imax=25A

ADR-Zone 2
approved
IP68