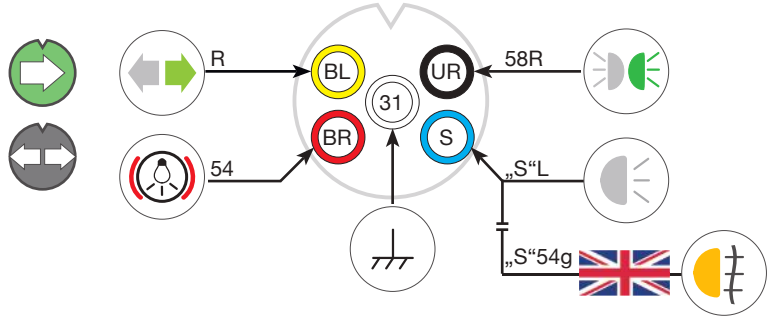
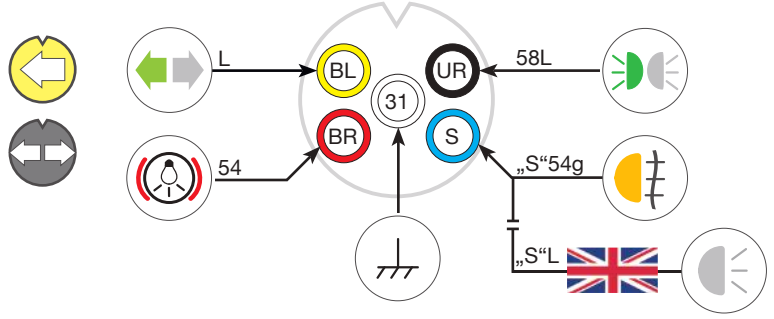
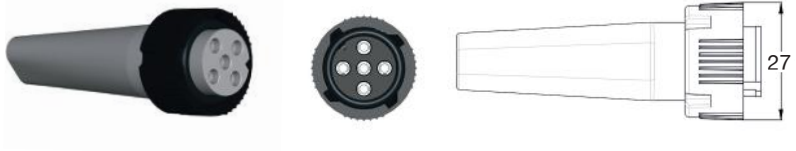


Bayonet
5 pin

Bayonet 5 pin female

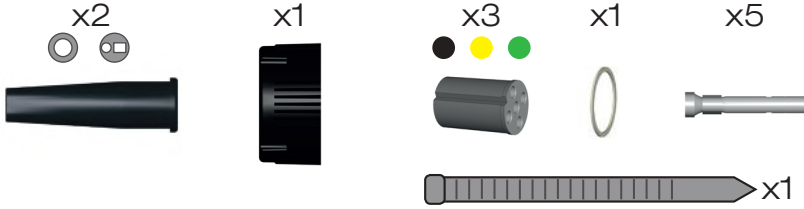


Imax=16A

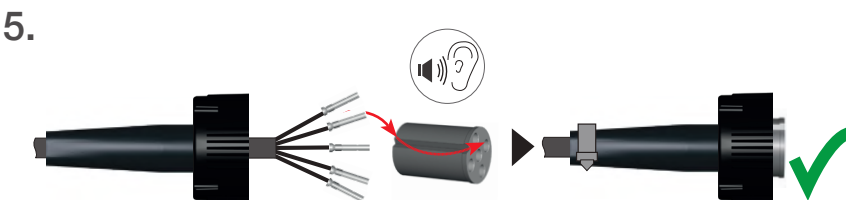
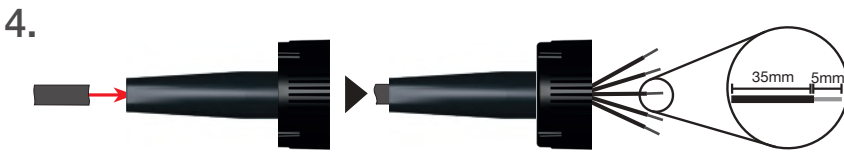
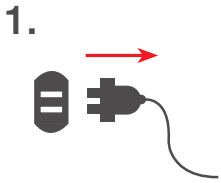


Mounting instruction Bayonet 5 pin female

SPARE PART NO.: 13-0521-104



Bayonet
5 pin



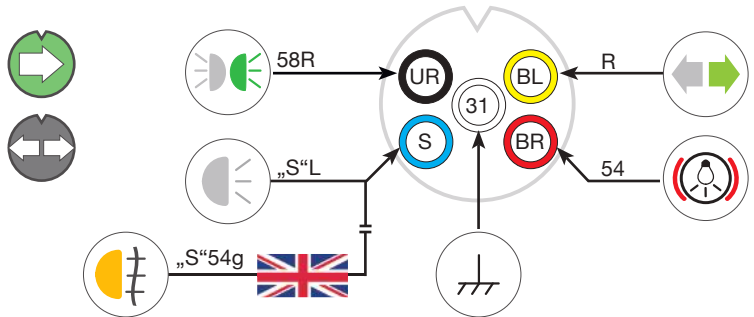
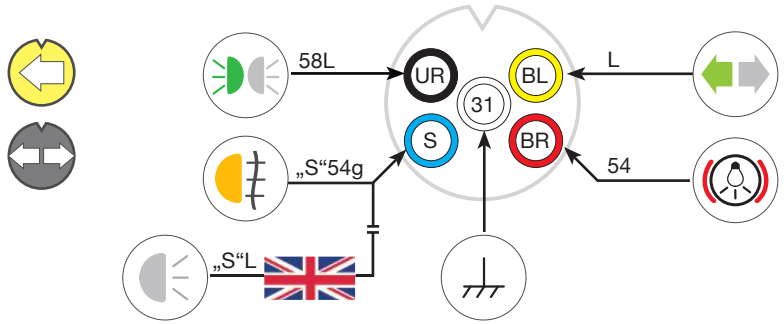
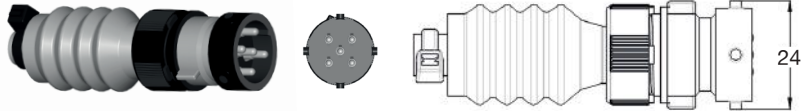
Imax=16A



Bayonet
5 pin



Bayonet 5 pin male



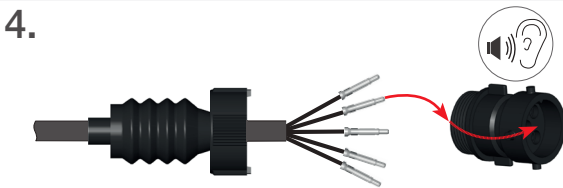
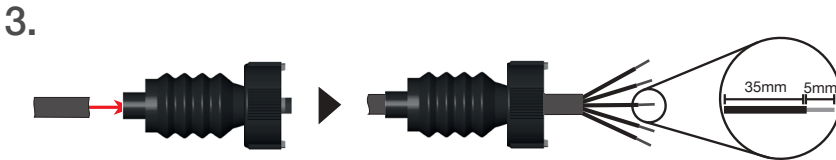
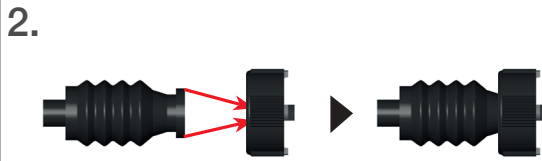
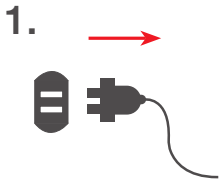
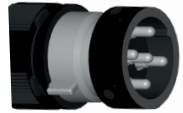
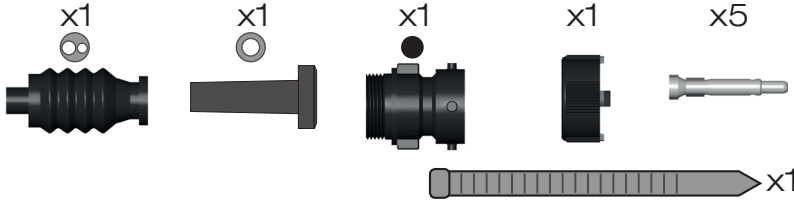
I_{max}=16A



Mounting instruction Bayonet 5 pin male

Bayonet
5 pin

SPARE PART NO.: 13-0536-044



I_{max}=16A

