

PARTS LIST

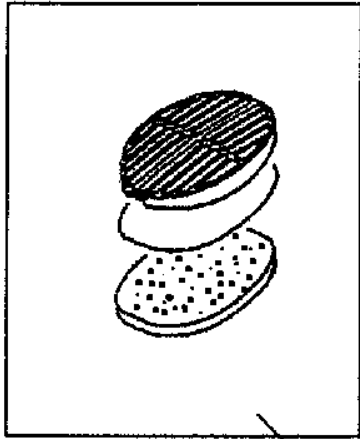


2024.12.04

NILFISK

TABLE OF CONTENTS

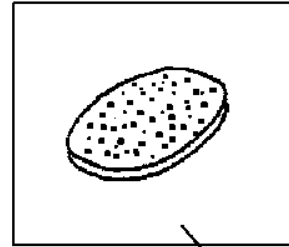
Diffuser, filter	1
Upper / lower container, accessories, Dust bag	3
Hoses and tubes 32mm	5
Nozzles 32mm	7
Motor head, all models	9
Motor and motor wire, all models	11
Cable sets	13
Exhaust filters and sound suppressor	15



1



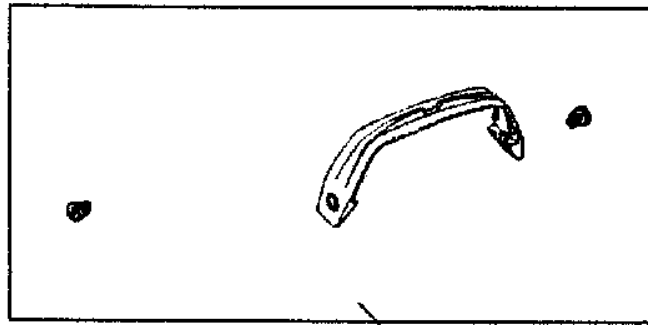
2



10



4



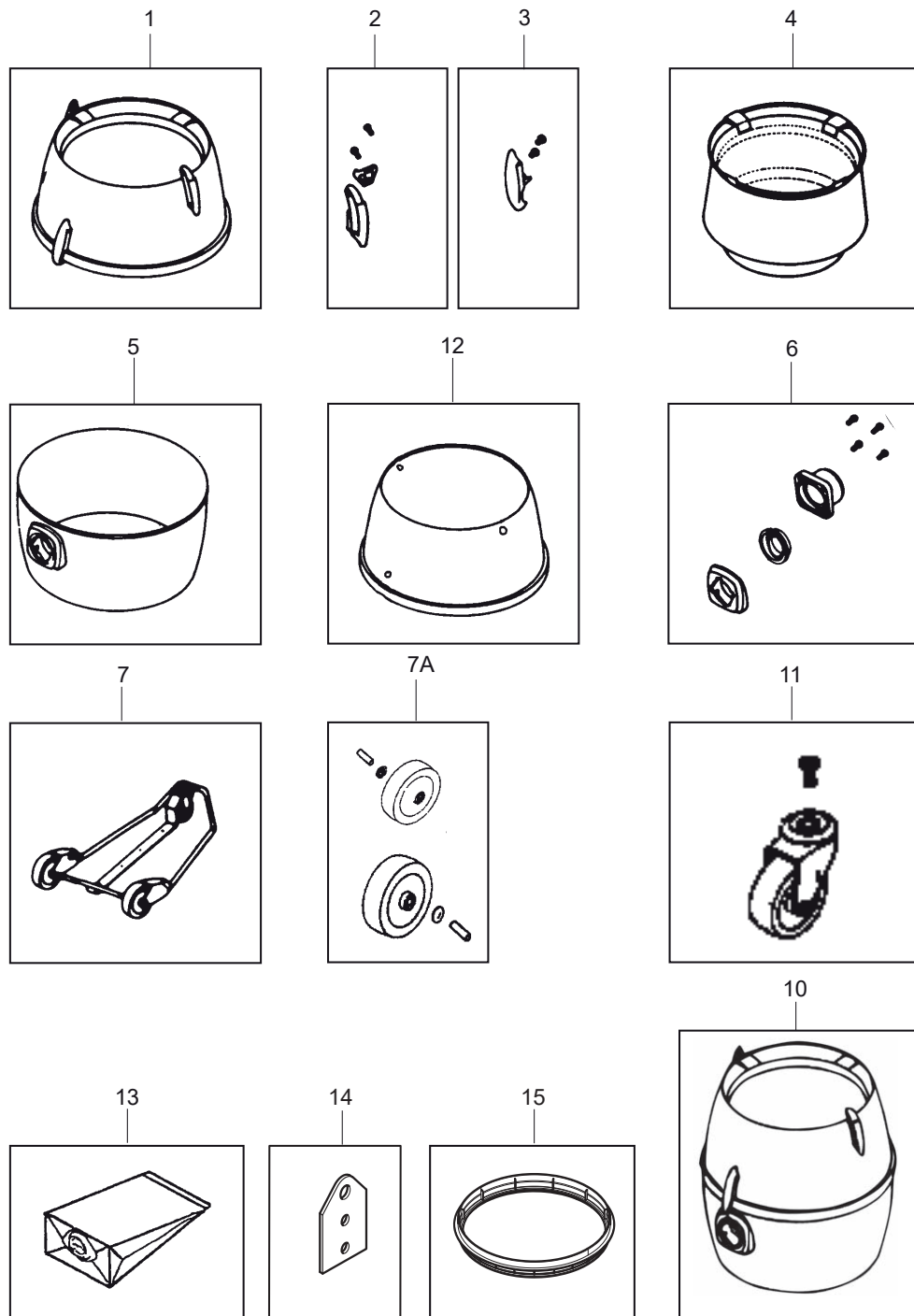
5

Resource notes:

Pos.	Artikel-Nr.	Menge	Variante	Notes
1	21573001	1	Luftverteiler kompl. GS/GM	[1]
1	107401733	1	EXHAUST KIT FOR GM80	[2]
2	11641000	1	Micro-Static-Filter(2 Stück) grau	
2	11693700	1	Abluftfilter (2 Stk.)blau	
4	11730410	1	Filter-Motorschutz, Polyester	[3]
5	22132000	1	Motortraggriff-Kit GS/GM	
5	81527801	2	Schlosszapfen GS/GMTraggriff	[4]
10	82135800	1	Schaumgummi Ausblas32 mm/GS	

Part Notes:

- [1] - grey color
- [2] - black color
- [3] - Japanese Model
- [4] - FOR FIXING OF THE HANDLE

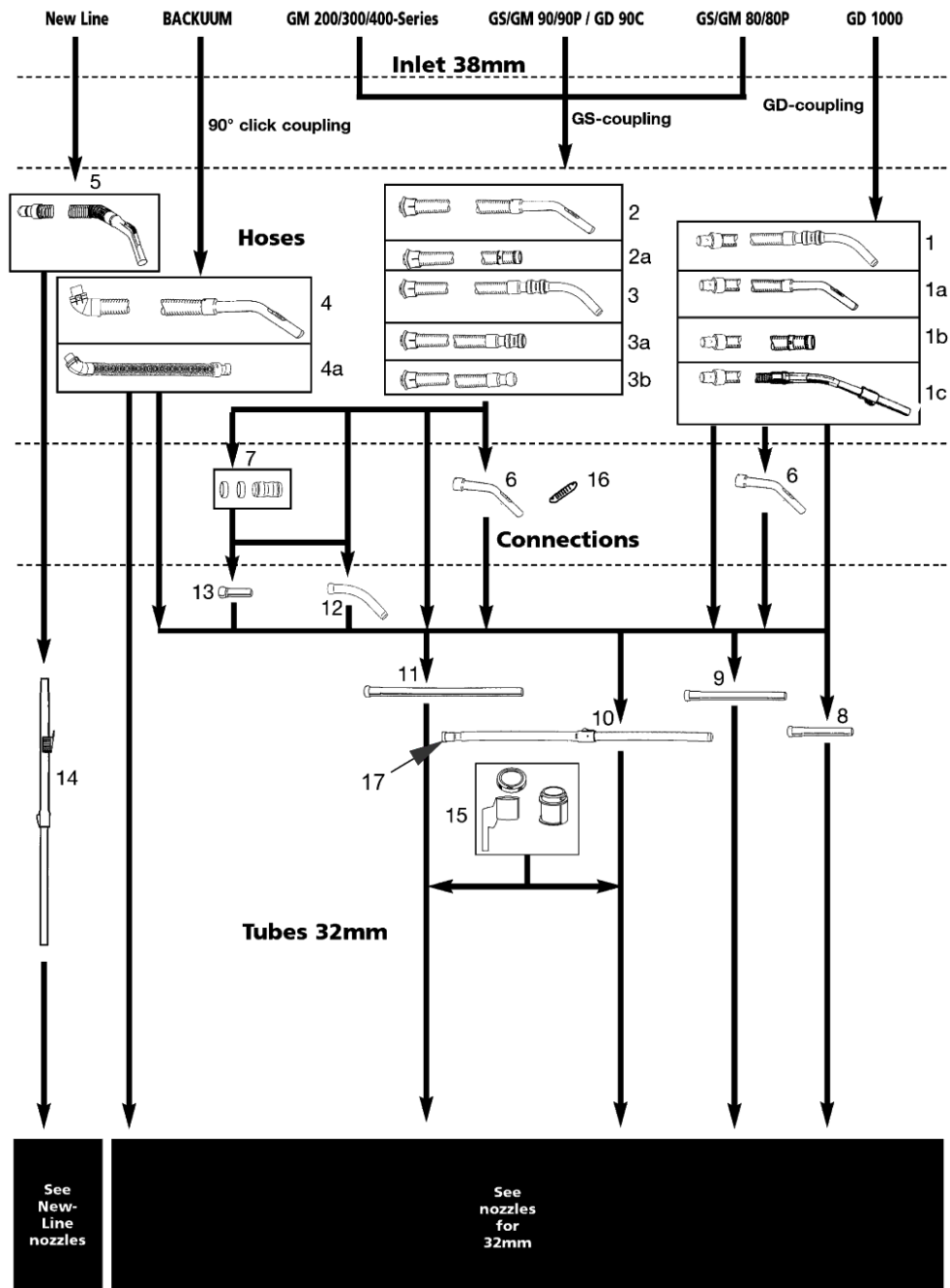


Resource notes:

Pos.	Artikel-Nr.	Menge	Variante	Notes
00	81718001	1	CARTON GM80C	
00	107401642	1	TROLLEY KIT FOR GM 80 US	[1]
1	11735311	1	Kesseloberteil GM80mit Filter	
1A	81107600	1	Kesselgummi GA70/GM8032 mm	[2]
2	22142400	1	Motorklammer GS/GM 802 Stk.	
3	22142500	1	Kesselklammer GM 80, 2 Stk.	
4	62348600	1	Polyester-Filter Kit f.	
4	62048000	1	Gorefilter antistatisch zu GM 80	
4	82243100	1	Nomex-Filter GS 80	
4	61909800	1	FILTER 8214 GS/GM80/-81 IVT/C	
5	11544710	1	Kesselunterteil GS 80	
6	22142300	1	Bajonet kompl. zu GM80	
7	11490500	1	Fahrgestell verstärkt, Ø 32mm	
7A	22394700	1	HJUL FOR GS/GM 81	[3]
10	11737011	1	Behälter komplett GM 80	
11	22384800	1	Kit Rad Stossvorrichtung	
12	71107400	1	BEH. OVERPART GM 80	[4]
13	107418525	1	Vliesfiltertüte GM80P 5St.	
13	81620000	1	Staubbeutel 6,5l 5Stk.	
14	147 1491 500	1	ADAPTER KIT	
15	71107900	1	Filterring Plastik Ersatz 61543000	[5]

Part Notes:

- [1] - Only for US
- [2] - Not shown on drawing
- [3] - NO ALTERNATIVE
- [4] - ALTERNATIVE USE 11735311
- [5] - GUARANTEE DATE EXPIRED
Is included in pos.1 and 10, needed for pos. 4

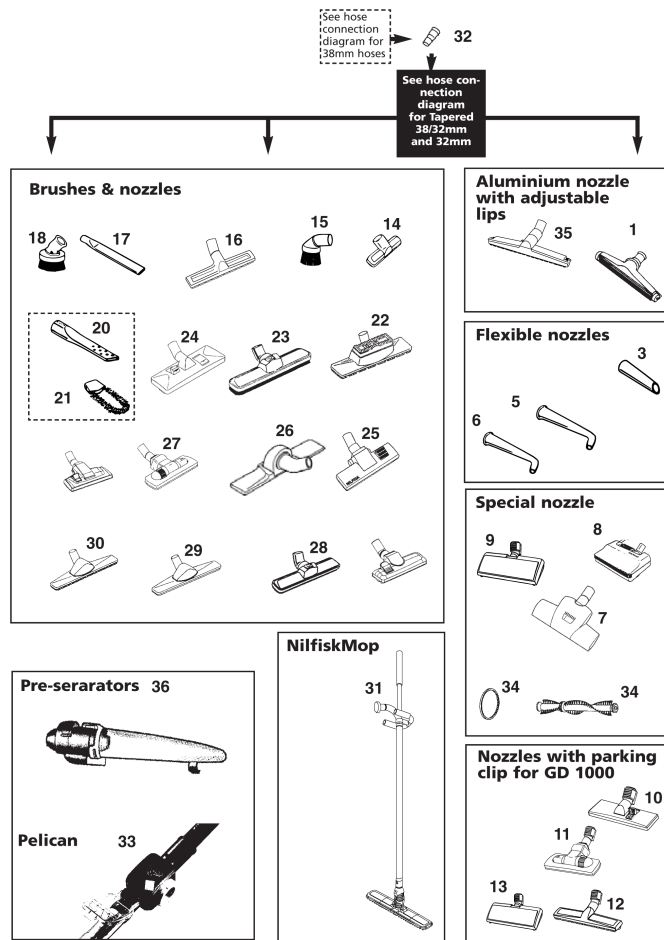


Resource notes:

Pos.	Artikel-Nr.	Menge	Variante	Notes
00	11717000	1	Schlauch Gummi m. Metallbogenrohr 2 m	
02	12041500	1	Schlauch m. Rohrbogen, Ø 38-32 mmx2 m	
02A	22041400	1	Konischer Kunststoffschl. Ø 38-32 mmx2 m	[1]
03	11717000	1	Schlauch Gummi m. Metallbogenrohr 2 m	
03	12097500	1	Schlauch m. Rohrbogen, Ø 38-32 mmx2 m	
03A	11543600	1	Schlauch Gummi, verstärkt, Ø 38-32 mmx2	
03A	12097600	1	HOSE 38/32MM 2M PLASTIC	[2]
03B	22097400	1	Schlauch Bayo-Kugel, Ø 38-32 mmx2 m	
06	21640503	1	Rohrbogen PVC Ø 32 mm, grau	
07	22344600	1	Verbindungsmuffen-Set grau, Ø 32 mm	
07	22344400	1	Muffe-Set, schwarz, Ø 32 mm	
08	11182500	1	Verlängerung, Ø 32x200 mm	
09	11112401	1	Stahlrohr gerade Ø 32x560 mm	
10	81906500	1	Teleskoprohr Stahl Ø 32 mmx1,13 m	
11	11262400	1	Rohr, Alu, Ø 32x1 m	
12	107402630	1	Anschlussstück Stahl Ø 32 mm	
13	11141900	1	Rohr gerade, Metall, Ø 32x140 mm	
14	147 0502 500	1	TELESCOPIC TUBE BLACK KIT	[1]
14	81906502	1		
14	22190400	1	TELESCOPIC PIPE COMPL. NEWLINE	[3]
15	22147600	1	PARKERINGSKLIPS KOMPL.	[3]
16	22351000	1	Luftventil, VPE 5	
17	81948300	1	Rohrring für Teleskoprohr	
17	81192100	1	Rohrring 32 mm 3 Nocken	[4]

Part Notes:

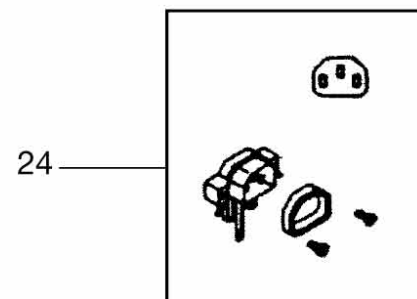
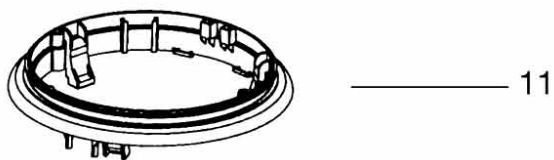
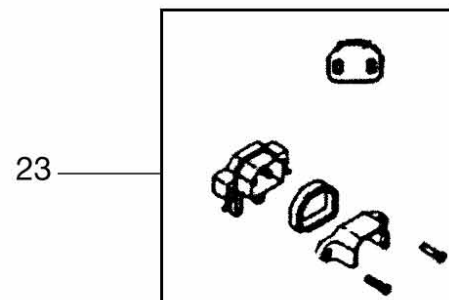
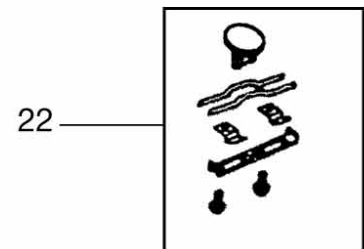
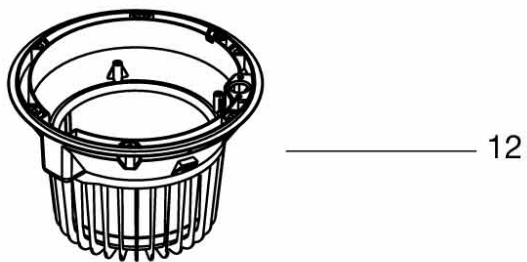
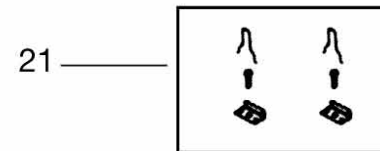
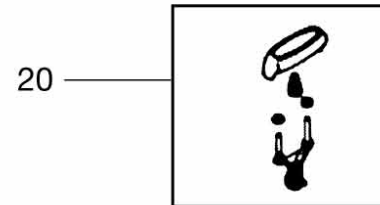
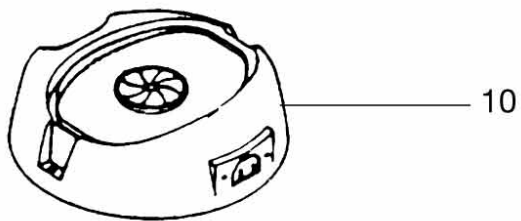
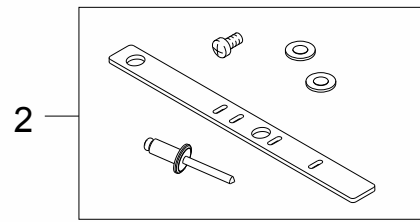
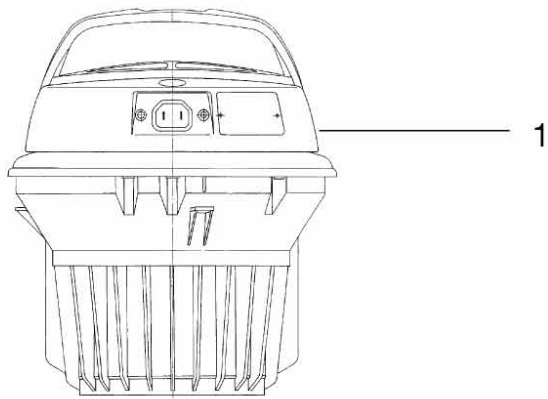
- [1] - PRUNED DUE TO LOW SALES
- [2] - TERMINATED NO REPLACEMENT
- [3] - CLOSED BY VENDOR
- [4] - ALTERNATIVE PIPE COMPLETE



Pos.	Artikel-Nr.	Menge	Variante	Notes
01	82366900	1	Rollendüse 32 / 370 mm	
01	11505100	1	NOZZLE WITH WHEELS D32 MM.400	[1]
03	81140900	1	Schrägrohrdüse, Kunststoff grau Ø 32 mm	
04	81140900	1	Schrägrohrdüse, Kunststoff grau Ø 32 mm	
05	81141101	1	Gummischrägrohrdüse kon Ø 32 NBR	
06	81932600	1	Gummischrägrohrdüse kon Ø 32 antistat.	
06	81141103	1	Gummischrägrohrdüse kon Ø 32 Silikon	[2]
07	22360000	1	Turbodüse, Ø 32x300 mm	
08	22360000	1	Turbodüse, Ø 32x300 mm	
09	22203000	1	Elektrosaugbürste	
14	32043700	1	Polsterdüse Ø 32 mm, grau	
15	22302500	1	ROUND BRUSH	[3]
15	147 1385 500	1	Pinselfürste, Naturborsten, Ø 32x70 mm	
15	107420405	1	PINSELBÜRSTE, BLAUE BORSTEN Ø32	
16	22351400	1	Hartbodendüse m. Rollen, 295 mm	
17	81141200	1	Flach-Fugendüse (Fiber) Ø 32 x 360 mm	
18	147 1385 500	1	Pinselfürste, Naturborsten, Ø 32x70 mm	
19	11140300	1	BRUSH OVAL 32MM 150MM	[4]
20	81530400	1	Fugendüse, PVC Ø 32x245 mm	
21	11530500	1	RADIATORBÜRSTE	[5]
22	22359800	1	Kombibodendüse, Ø 32x280 mm	
23	11426700	1	Hartbodendüse Ø 32 x 280 mm	
24	11980300	1	Kombibodendüse, grau, Ø 32x270 mm	
24	22412900	1	NOZZLE COMBI BLACK	
26	L00396347	1	FRENCH FLOOR NOZZLE HARD	[6]
26	L00396348	1	FRENCH FLOOR NOZZLE SOFT	[6]
26	L00396349	1	FRENCH FLOOR NOZZLE HARD	[7]
27	22359800	1	Kombibodendüse, Ø 32x280 mm	
27	22303900	1	COMBI WITH REEL ARNOLDI KIT	[6]
28	11276800	1	Teppichdüse32/280	
29	11476200	1	Teppichdüse Metall Ø 32 x 400 mm	
30	11476301	1	Universalbodendüse Metall Ø 32 x 400 mm	
31	17830005	1	NILFISK MOP GS/GM	
31	17830003	1	NILFISK MOP GS/GM	
31	17830007	1	MOP WITHOUT HOSE 1000 MM MED.	
31	17830004	1	NILFISK MOP GS/GM	
32	11503100	1	Reduktion38/32	
33	22424800	1	Pelican-Düse	[8]
34	81684500	1	Bürste Turbodüse	[9]
34	81684600	1	ANTRIEBSRIEMEN ESB 10932mm	[9]
35	82366900	1	Rollendüse 32 / 370 mm	
36	140 7700 000	1	PRE SEPARATOR CYCLONE PHASE 1	[10]

Part Notes:

- [1] - Machine outphased 1999
ARTICLE NO MORE SUPPLIED
- [2] - Autoclavable
- [3] - 22352000 OR 11276901
- [4] - Nilfisk-CFM Acc. Program
- [5] - 010 5818 140+010 3098 500
- [6] - CLOSED BY VENDOR
- [7] - SEE HOSE/NOZZLE PROGRAM
- [8] - GUARANTEE DATE EXPIRED
- [9] - NO DIRECT REPLACEMENT
- [10] - ALT 22424800 PELICAN



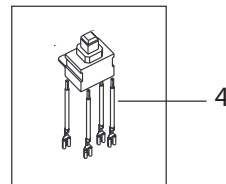
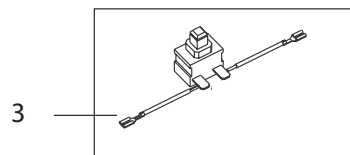
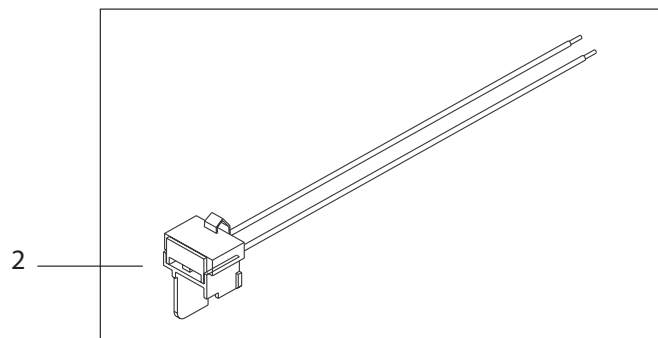
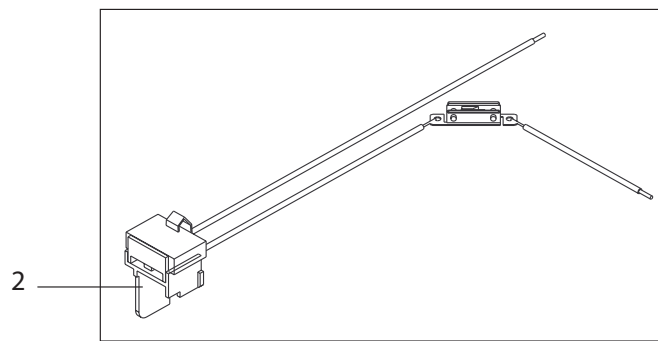
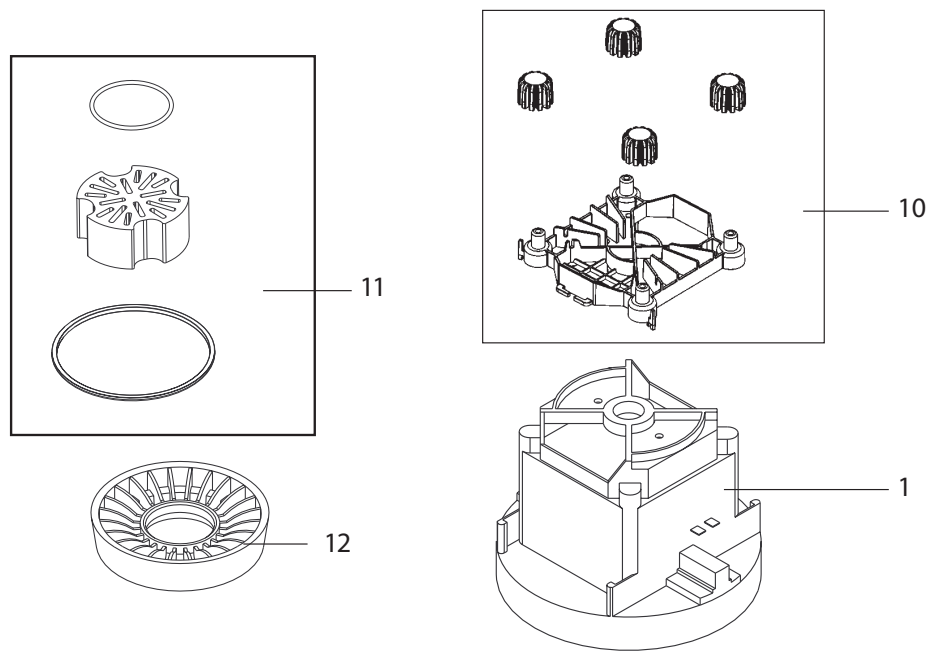
Resource notes:

Pos.	Artikel-Nr.	Menge	Variante	Notes
00	82218700	1	PACKAGE F MOTOR TOP GM80	
00	107401795	1	GM 80 CN KIT	[1]
1	22091000	1	ANTISTATIC CONNECTION	[2]
1	12112353	1	Motor GMPJ 1200W 3ph 240V	
1	12112153	1	Motor GMP 220-240V/1200W	
1	12108348	1	MOTOR GSPJ 200V JAPAN	[3]
1	12110329	1	MOTOR GMPJ 110-120V UL	
1	12110327	1	MOTOR GMPJ 100V JAPAN	
1	12108253	1	MOTOR GSP M.F.LEDN.EU/AUS	[4]
1	12108127	1	GSP-MOTOR JAPAN 100V	[3]
1	12108529	1	MOTOR GSPJ 110-120V.UL	[5]
1	12108429	1	MOTOR GSP 110-120V.UL	[5]
1	12108629	1	MOTOR GSP W/CORD UL	[5]
1	12108153	1	Motor GSP 220-240V/800W	
1	12108353	1	MOTOR GSPJ 220-240V AUS	[6]
1	12108148	1	MOTOR GSP 200V JAPAN	[7]
1	12110127	1	MOTOR GMP 100V JAPAN	[7]
1	12110129	1	Motor GMP 110-120V	
1	12112253	1	Motor GMP, 1200W., 230V.	
1	12108129	1	Motor GSP 110-120V USA	[8]
1	12108329	1	MOTOR GSPJ 110-120V UL	[6]
1	12110229	1	MOTOR GMP, FIXED CORD. UL	[5]
2	22091000	1	ANTISTATIC CONNECTION	[2]
10	22232300	1	Deckel Motor GSP/GMP/KS	
10	22232301	1	TOP HOUSING FOR GS/GM	[2]
11	22232500	1	Motorzwischenring f. GS/	
12	22231201	1	Standkorb GM/GS Motoren	
12	22231200	1	Standkorb f. Motor GS/GM	
20	22410500	1	Ein- Aus Schalter GM 80	
20	107416222	1	BUTTON, CONTACT BREAKER KIT 100 PCS	
21	22410400	1	Handle Kit	
22	20705300	1	THERMO VALVE COMPLETE WITH PARTS KIT	[9]
23	20705400	1	Steckbuchsenkit	
24	20705500	1	SOCKET EARTHED W. PARTS	

Part Notes:

- [1] - can be closed ultimo 2010
NO LONGER AVAILABLE
- [2] - STOCK COVERS GUARANTEE
- [3] - NO LONGER AVAILABLE
- [4] - STOCK COVERS GURARANTEE
- [5] - Machine outphased 2007
- [6] - USE MOTOR GMPJ AS ALTERNATIVE
- [7] - BUY SINGLE COMPONENTS OR MACHINE
- [8] - USE MOTOR GMP AS ALTERNATIVE
- [9] - BUY NEW MOTOR COMPLETE

SEE TSB DK 2000-007TSB DK 2000-007. Motor parts

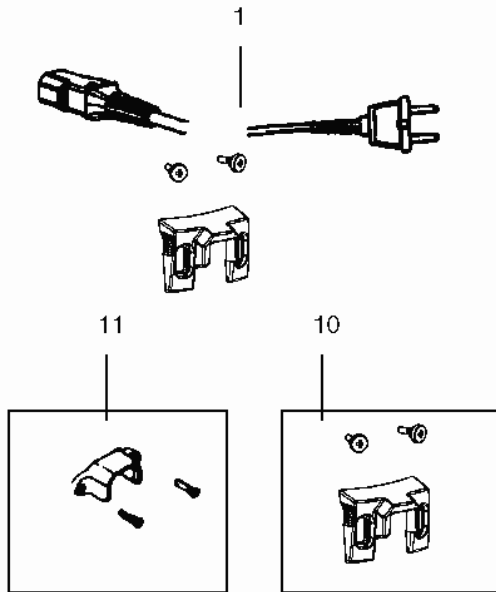


Resource notes:

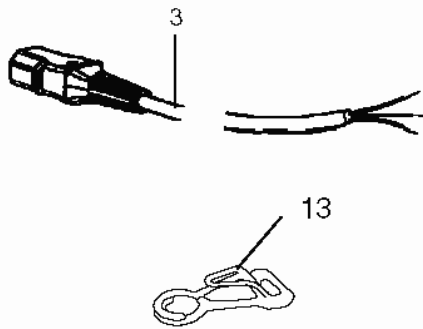
Pos.	Artikel-Nr.	Menge	Variante	Notes
1	12125002	1	Motoreinsatz 220-240V 800W	
1	12125001	1	MOTOR GSP 100-120V	
1	12125005	1	Motoreinsatz GMP 240V/1200 W	
1	12125003	1	MOTOR 110-120V AMETEK	
2	22130501	1	Kabelkit m.Thermoschalter	
2	22130500	1	Kabelkit f.GSP/GMP	[1]
3	22131100	1	Schalter Set GS-Motoren2-Polig	
4	22131200	1	Schalter Set GM-Motoren4-Polig	
10	22231100	1	Motorschalldämpfer GD1005	[2]
10	107401268	1	Motorkit	
11	22365300	1	Schalldämpfer u. Dichtungzu GS/GM Motor	
12	22399800	1	GASKET FOR INLET	[3]

Part Notes:

- [1] - NO LONGER AVAILABLE
 [2] - GUARANTEE DATE EXPIRED
 [3] - for old motor type outph. 2001
 MACHINE VERS.OUTPH.2001



Cord with plug/socket for bracket, item10 or 11, for GM 80-90 series			
	Rating	Plug type	
EU	250		
UK	250		
AUS/NZ	250		
CH	250		
USA/CAN	120		
USA/CAN Grounded	120		
Italy Institutional	250		

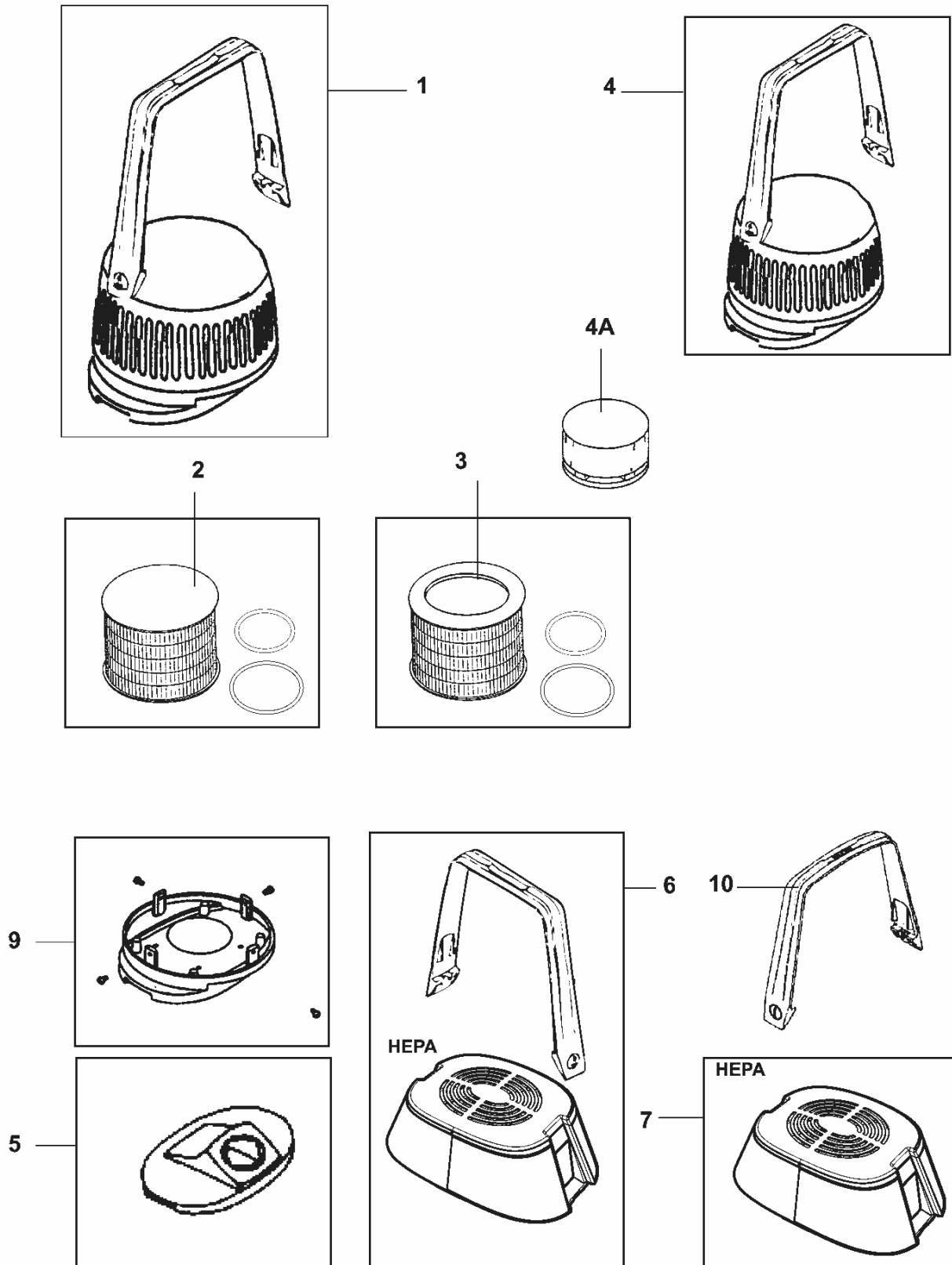


Resource notes:

Pos.	Artikel-Nr.	Menge	Variante	Notes
01	11746620	1	CORD SET KIT GM 80C UK 10M	
01	147 0363 500	1	CORD SET 10M BLACK AU/NZ	
01	22146000	1	10M CORD 2X1.0 CON./ITALY	[1]
01	11545920	1	Kabel GM 80 schwarz	
01	21545400	1	7M CORD 2X1.0 CON./NOPLUG	[2]
01	21907900	1	Netzkabel GMP/GSP 7m	
01	147 0764 500	1	Netzkabel Set GM80 CN	
01	21584900	1	Kabel 30m, kpl. m.Klammer	
01	11545920	1	Kabel GM 80 schwarz	
01	21907800	1	10M CORD 2X1.0 CON./CH	
01	21905600	1	10M CORD 2X1.0 CON/AUSANDNZ	
01	4083901466	1	Kabel 10 m 3-Polohne Stecker	
01	107408837	1	CORD SET 9.3M 3x1.25 JP PLUG NILFISK CO	
01	11827420	1	CORD SET KIT GM 80C GROUND. US	
01	21746500	1	7M CORD 2X1.0 CON./UK	
03	4083901466	1	Kabel 10 m 3-Polohne Stecker	
03	21547900	1	10M CORD 2X1.0 CON/NOPLUG	
03	21545400	1	7M CORD 2X1.0 CON./NOPLUG	[2]
10	22361000	1	Kabelsicherung zuGM-GS Motoren	
11	22131600	1	CORD LOCKING KIT	[1]
13	82195800	1	CORD REALEASE FOR HANDLE	[3]
14	L00191024	1	Stecker für Kabel	

Part Notes:

- [1] - GUARANTEE DATE EXPIRED
 [2] - STOCK COVERS GUARANTEE
 [3] - NO MORE AVAILABLE



Pos.	Artikel-Nr.	Menge	Variante	Notes
01	11731003	1	Abluftfiltergehäuse 32 mm zu HEPA/ULPA o.	
02	21738000	1	Absolutfilterpatronen-Set H14	
03	21739000	1	ULPA-Filter38/50	
04	11750703	1	Schalldämpfer GS/GM	[1]
04A	21750900	1	LYDELEMENT KOMPL.	[2]
05	11562001	1	BLOWING COUPLING GS/GM80 GREY	
05	11562000	1	Blasaufsatz, schwarz, Ø 38 mm	
06	82146700	1	HEPA-Filter, Starter-Set	
07	82147100	1	HEPA-Filterpatrone GS/GM zu 82146700 zu P	
09	22383900	1	Basis für Filtergehäuse GM	
10	147 1138 500	1	Tragbügel zu GM 80	

Part Notes:

- [1] - GUARANTEE DATE EXPIRED
 [2] - KIT 22384100 OR 11750703

